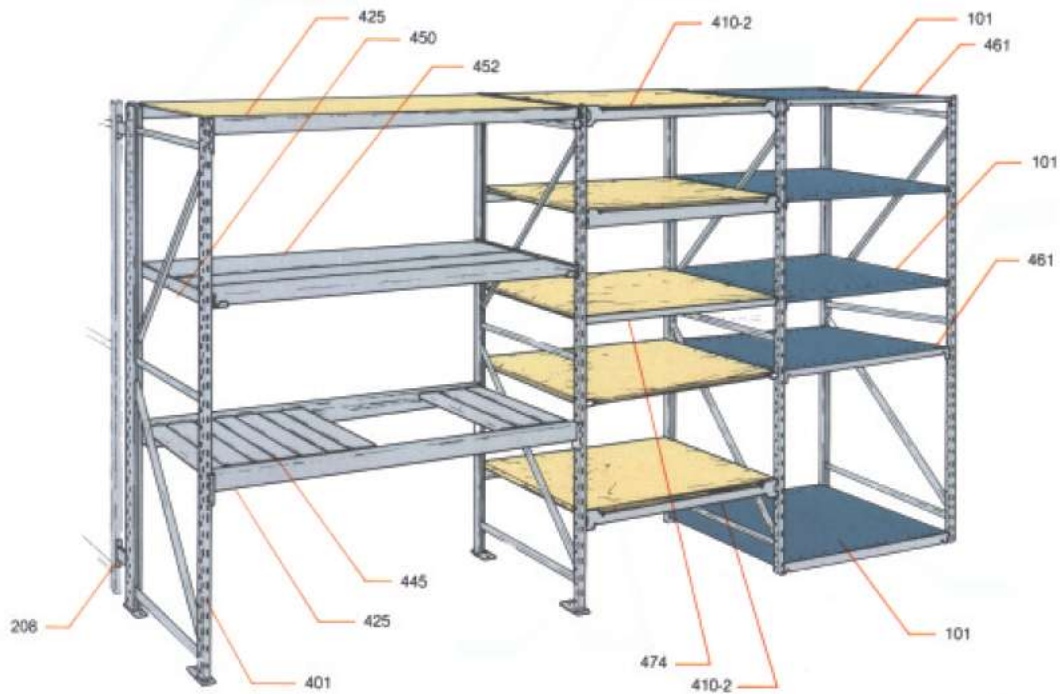


CONCORD METAL MANUFACTURING INC.



THE **CONCORD METAL 400** SYSTEM CAN BE ERECTED IN MINUTES WITHOUT TOOLS, HARDWARE, OR THE NEED OF SKILLED HELP. SOME SPECIAL ACCESSORIES MAY REQUIRE HARDWARE.

MANY ACCESSORIES ARE AVAILABLE TO MAKE THIS 400 WIDE SPAN SYSTEM A MOST VERSATILE AND FLEXIBLE STORAGE SYSTEM THAT CAN SOLVE PRACTICALLY ANY MEDIUM LOAD STORAGE PROBLEM.

ALL STEEL PARTS ARE PHOSPHATE UNDERCOATED PRIOR TO MOST COMPONENTS HAVING A POWDER EPOXY ENAMEL FINISH. STANDARD COLOUR IS LIGHT GREY. OTHER COLOURS ARE AVAILABLE.

THE 400 WIDE SPAN SHELVING SYSTEM IS DESIGNED FOR HAND LOADING ONLY, AND IS NOT TO BE USED WITH FORK TRUCKS



CONCORD METAL MANUFACTURING INC.

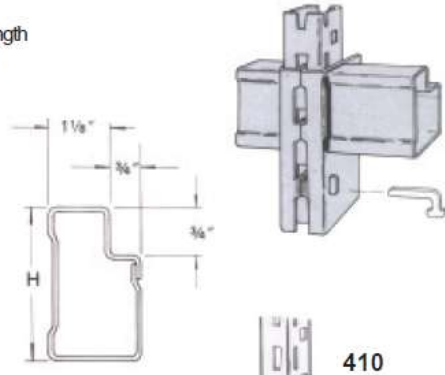
LOAD BEAMS ARE AVAILABLE IN VARIOUS SIZES AND TYPES TO ACCOMMODATE ALMOST ANY NEED WITH CAPACITIES UP TO 3,000 POUNDS OF UNIFORMLY LOAD PER LEVEL.

FRONT MOUNT BEAMS CAT. NO 425

The clear span of the beams is actually 3/4" longer than the nominal stated length to allow a standard sheet of plywood to be used without cutting to length to fit.

These beams fit into slots on the front of the 401 frame posts, and are easily adjusted vertically on 2" centres.

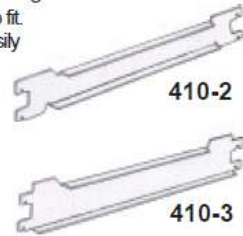
BEAM L	CAT. NO. H=2" high	CAP. lbs / pair	CAT. NO. H=3" high	CAP lbs / pair
36	425-236	2,000	425-336	2,800
42	425-242	2,000	425-342	2,800
48	425-248	2,000	425-348	2,700
60	425-260	1,600	425-360	2,600
72	425-272	1,200	425-372	2,300
84	425-284	1,000	425-384	2,000
96	425-296	800	425-396	1,800



SIDE MOUNT BEAMS CAT. NO 410

The clear span of the beams is actually 3/4" longer than the nominal stated length to allow a standard sheet of plywood to be used without cutting to length to fit. These beams fit into slots on the sides of the 401 frame posts, and are easily adjusted vertically on 2" centres.

BEAM L	CAT. NO. H = 2" high	CAPACITY lbs / pair
36	410-362-40	1100
42	410-422-40	1000
48	410-482-40	900



CONCORD METAL MANUFACTURING INC.

FRAMES - WELDED CAT. NO. 401

Frames are built of 14 gauge steel and welded into an extremely strong structure. An assortment of sizes available.

LOAD RATING is 10,000 pounds per frame and a Safety Factor of 1.65, with minimum of 2 beam levels being no farther apart than 48" with horizontal frame braces no farther apart than 48".

ROW and WALL CONNECTOR CAT. NO. 208

Length 3, 6, 9, 12, 15, 18, 24

WOOD PANEL SUPPORT CAT. NO. 431

Used with No. 425 beams to support wood shelves.

DROP-IN PANELS CAT. NO. 445

Used with No. 425 beams

Standard size is 6" wide x 3/4" high

Standard Finish - Galvanized

Other sizes and finishes available.

LONG SPAN SHELVES CAT. NO. 452

STEEL SHELF TIE BEAMS CAT. NO. 461

INTERMEDIATE WOOD SHELF BEAM CAT. NO. 474

Used with plywood or particle board shelves

SHELF CLIP COMPRESSION CAT. NO. 613

